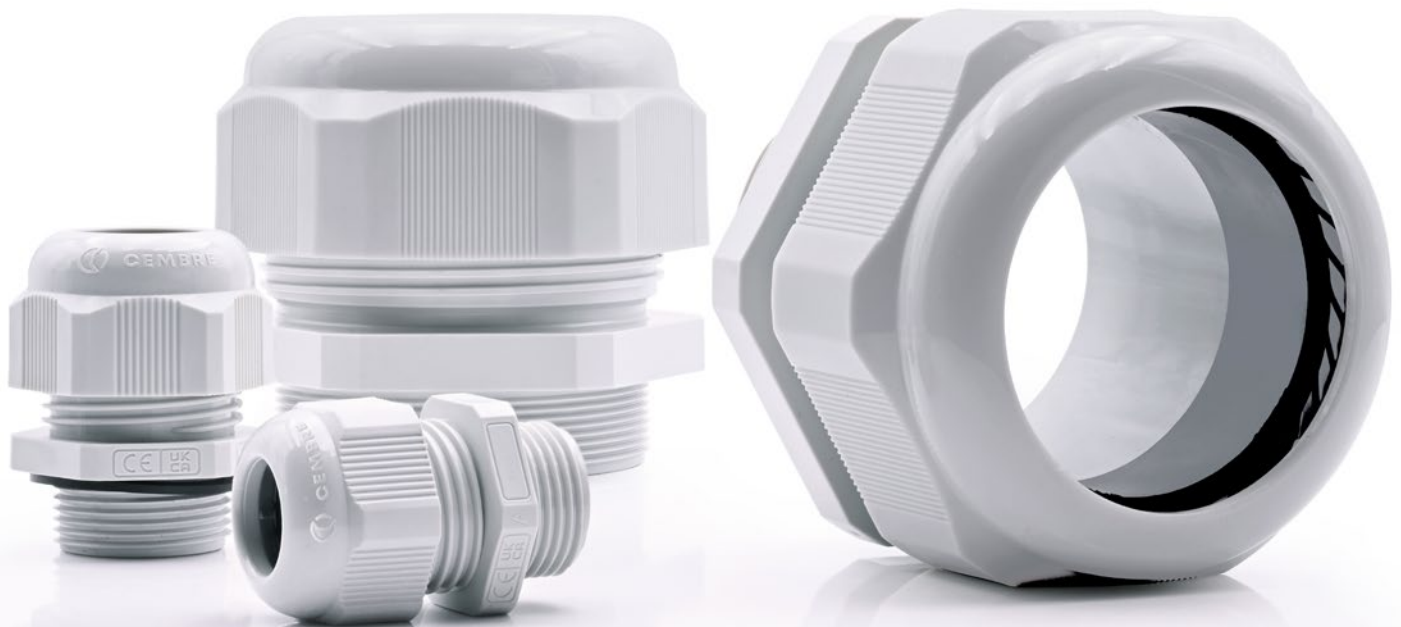




CEMBRE

EXTENDED ENTRY CABLE GLANDS



“FLEXIBILITY” IS THE KEY WORD



CEMBRE's **MAXIblock** and **MAXIbrass** cable gland range is expanding with a series of new products, becoming increasingly flexible and practical.

Thanks to careful product design, the **1940.M** and **2940.M** series are characterised by the **extended cable entry** compared to the standard range.

With the same threading as the standard range, the **1940.M** and **2940.M** fit large-diameter cables, **saving space and time in installations.**

Thanks to the **extended cable entry** it is now possible to install large-diameter cables.

Additionally, a longer thread also makes installation **on thick plates** easier.



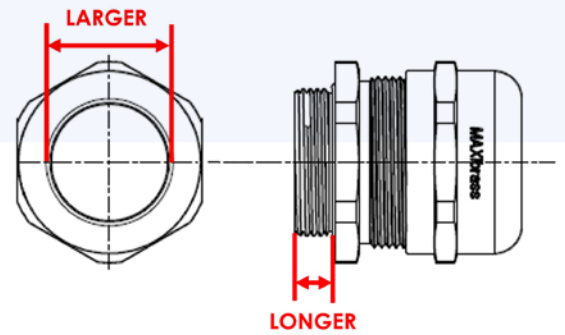
ADVANTAGES



Ideal for EV chargers and wind turbines

Single hole on electrical panel for multiple uses

Stop using adaptors



THE RANGE

MAXIblock®

Material: POLYAMIDE PA6.6
self-extinguishing cl. V2 (UL 94)
Operating temperature range:
-40°C to +100°C (static)
-20°C to +90°C (dynamic)
Sealing ring: NEOPRENE®
External additional gasket
for sizes from M25 to M63
Level of protection IP 68
Colour: grey RAL 7035,
black RAL 9005



MAXIbrass®

Material: Nickel-plated BRASS
Sealing ring: NEOPRENE®
Clamping jaws
POLYAMIDE PA6.6
O-Ring: NITRILE 70 sh A
(included and already assembled)
Level of protection IP 68
Operating temperature range:
-40°C to +100°C (static)
-25°C to +100°C (dynamic)



TECHNICAL DATA

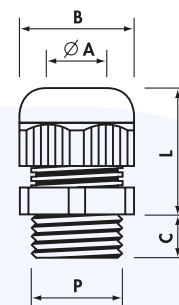


MAXIblock 1940.M

Metric thread M 1.5 pitch CEI EN 60423 CEI EN 62444

Type Light Grey	P	Fixing Hole Ø (mm)	Ø A min-max (mm)	B Spanner (mm)	C (mm)	L min-max (mm)	Quantity Box/Bag
1940.M20	M20x1,5	20,5	10 -14	27	10	26-31	50
1940.M25	M25x1,5	25,5	13 -18	33	11	30-35	50
1940.M32	M32x1,5	32,5	20 -25	42	12	33-39	25
1940E.M40	M40x1,5	40,5	22 -32	53	14	42-49	10
1941E.M40	M40x1,5	40,5	22 -32	53	18	42-49	10
1940.M40	M40x1,5	40,5	26 -34	53	14	42-49	10
1941.M40	M40x1,5	40,5	26 -34	53	18	42-49	10
1940.M50	M50x1,5	50,5	30 -38	60	14	42-50	5
1940E.M50	M50x1,5	50,5	35 -41	66	14	45-55	5
1940.M63	M63x1,5	64,0	45 -52	75	15	52-60	4

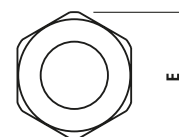
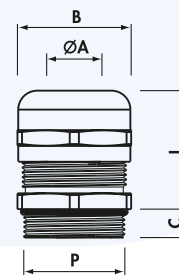
Add to Ref: N for Black



MAXIbrass 2940.M

Metric thread M 1.5 pitch CEI EN 60423 CEI EN 62444

Type Nickel-plated Brass	P	Fixing Hole Ø (mm)	Ø A min-max (mm)	B Spanner (mm)	E (mm)	C (mm)	L min-max (mm)	Quantity Box/Bag
2940.M12N	M12x1,5	12,2	5 - 8	17	19	6,5	17-23	100
2940.M16N	M16x1,5	16,2	7 -12	22	25	7,0	20-26	50
2940.M20N	M20x1,5	20,5	10 -16	29	32	10,0	24-30	50
2940.M25N	M25x1,5	25,4	13 -21	36	39	11,0	27-34	25
2940.M32N	M32x1,5	32,5	18 -25	40	43	12,0	30-37	25
2940.M40N	M40x1,5	40,5	25 -32	50	54	13,0	38-48	10
2940.M50N	M50x1,5	50,5	30 -38	57	61	13,0	39-48	5
2940E.M50N	M50x1,5	50,5	35 -45	67	73	13,0	40-52	5
2940.M63N	M63x1,5	64,0	44 -55	75	83	15,0	40-53	4
2900.M75N	M75x1,5	76,0	56 -63	80	88	18,0	35-43	3/1
2910.M75N	M75x1,5	76,0	49 -57	80	88	18,0	35-43	3/1
2910E.M75N	M75x1,5	76,0	45 -51	80	88	18,0	35-43	3/1



Cod. 6260609



www.cembre.com



CEMBRE S.p.A.
via Serenissima, 9
25135 Brescia
Italy
Ph +39 030 36921
ufficio.vendite@cembre.com
sales@cembre.com

CEMBRE Ltd.
Dunton Park,
Kingsbury Road,
Curdworth, Sutton Coldfield,
West Midlands, B76 9EB
United Kingdom
Ph +44 01675 470440
sales@cembre.co.uk

CEMBRE S.a.r.l.
22 Avenue Ferdinand
de Lesseps
91420 Morangis Cedex,
France
Ph +33 01 60 49 11 90
info@cembre.fr

CEMBRE España S.L.U.
Calle Verano 6 y 8
Pl Las Manjas
28850 Torrejón de Ardoz
Madrid - Spain
Ph +34 91 4852580
comercial@cembre.com

CEMBRE GmbH
Geschäftsbereich
Energie- und Bahntechnik
Heidemannstr. 166
80939 Munich
Germany
Ph +49 89-3580676
info@cembre.de

CEMBRE GmbH
Geschäftsbereich
Industrie und Handel
Boschstraße 7
71384 Weinstadt
Germany
Ph +49 7151-20536-60
info-w@cembre.de

CEMBRE Inc.
Raritan Center Business Park
300 Columbus Circle-S.F.,
Edison, NJ 08837 USA
Ph +1 (732) 225-7415
sales.us@cembre.com
Midwest Office
1051 Perimeter Dr #470
Schaumburg, IL 60173

